



WLS-T25 Solar Powered Low Intensity
Duty & Stand-by Aviation Obstruction Light
Instruction Manual

Rev: 1.0V

Descriptions

This product is a low intensity aviation obstruction light, suitable to be used in the places without electricity power, no need for maintenance and management, automatic control. This product can continuously operate for 7 days without any sunlight.

This product uses Standardized design, with the advantages of shockproof and corrosion resistance. It consists of an aviation light, duty & stand-by controller, silicon solar panel and battery.

This product complies with ICAO (Annex 14) and FAA, the enclosure of this light is made of die casting aluminium (LM6) with powder coated, having the advantages of lightweight, waterproof, shockproof and corrosion resistance etc.

This lamp has a built-in controller, whose key part is MCU, makes this lamp having the functions of fault detecting, circuit-measuring, circuit-protecting, circuit-monitoring and solar system protecting as well as duty and stand-by feature where if the duty lamp fails the stand-by lamp will automatically be switched on.

The silicon solar panel has the advantages of high conversion rate, small scale fading, good reliability, external long life etc. The mounting bracket for solar panel is made of stamping parts, which can withstand the harsh efforts of the environment and also can withstand the strong wind up to 100KM/H. Its inclination angle is 15 – 60 degree.

The built-in battery is a NiMH battery for ease of maintenance.



Function and Features:

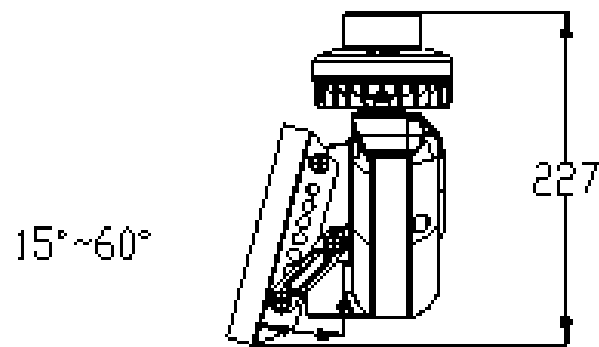
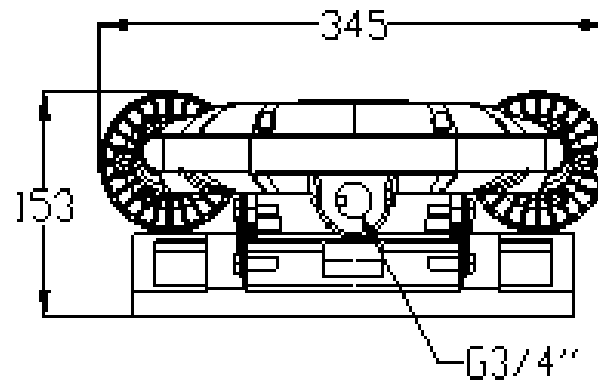
- Modular design and meets optics standard
- Extremely Reliable — Major Maintenance Cost Saving
- Resistant to Shock and Vibrations
- Corrosion Resistant
- Lamp housing –Polycarbonate, with good anti-impact strength, thermal stability, high transmittance
- Combustibility Rating: UL94VO
- IP Protection: IP65
- With built in photocell
- Integrated change-over relay, fault monitoring

Specification

- Compliance with ICAO standard Annex 14 and FAA
- Battery Capacity: 3.6V/8AH NiMH
- Ambient temperature: - 30 ~ + 70°C
- Relative humidity: 10% - 95% (Non – condensing)
- Steady Burning (or flashing, please advise when placing order)
- Intensity: 10 – 32.5cd (please specify)
- Color: Aviation red
- Horizontal degree: 360°
- Vertical degree: 10°

- Visible distance (T=0.85): >3.6km
- On /Off level: 500Lux
- Autonomy: > 7 days (at 25°C, if the ambient temperature is lower than 0°C or above 40°C, it will affect the battery discharge)
- Light sources: Ultra High LED
- Lamp life: ≥ 100.000hrs
- IP protection: IP65
- Weight: 3.3kgs

Mounting Dimension

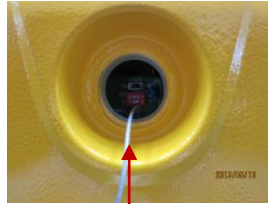


Installation:

- Mount the solar light in the most suitable place such as under direct sunlight, to ensure its continuous operation.
- Installation : G3/4" pipe mounting.
- For first usage, open the battery switch at the bottom. If store for a long time, close the switch.
- The angle of solar panel is adjustable from 15°~60°. End user can obtain suitable angle by adjusting the installation holes.
- The light is with optically control function. When ambient illumination is below 500lux, it starts to work.



Plug



Power Switch



Bracket of angle adjustment

Battery Replacement

- Loosen 6no. Screws and case cover.
- Take out the old battery.
- Replacing new batter and fix case cover
- (Do not short circuit)



Case cover



Battery

Notice

- Replace the battery regularly in order to keep light operate normally. It is suggested to replace it every year.
- If the storage time is over 6 months, the light should be placed in the sunshine for 3 days to be charged fully before using.

- Temperature rise inside the control box is normal phenomenon
- Please do not open the control box by yourself
- This product is a sealed structure; should not be tampered with by anyone other than registered installer because Delta has a policy of continuous product improvement, we reserve the right to change design and specifications without notice.

***Note: Please use this product strictly on accordance with
the instruction above***

Delta Obstruction Lighting Ltd.
Delta House
Wrigley Street
Oldham
OL4 1SL
U.K
Tel:0044 (0) 161 7854940
Fax:0044 (0) 161 7854941