

DELTA OBSTRUCTION LIGHTING

CM – 600 --- CABLE MARKING SPHERES

APPLICATION

Designed for warning to flying objects of high-rise transmission lines (Eg. EHV transmission cables and river-crossing transmission lines).

MAIN FUNCTIONS AND FEATURES

- Colored, weatherproof glaze.
- Corrosion resistant, ambient temperature: -40°C ~ +90°C. Can be used in hostile conditions.
- Screw mounting.
- FRG materials property: Tensile strength $\geq 128\text{MPa}$,
Flexural strength $\geq 230\text{MPa}$,
Barcol hardness ≥ 44 .

Specifications

Standard	Conforms to ICAO Item 14
Color	White / red / orange and white / orange and red
Cable Clamp	Cable diameter $\varnothing 19 / \varnothing 30$ (including bushing).
Amb' Temp.	-40°C ~ +90°C
Size	600 x 2.2mm / 800 x 2.2mm / 1300 x 2.2mm
Weight	15kg
Material	Sphere: FRG Clamp: die – casting alloy

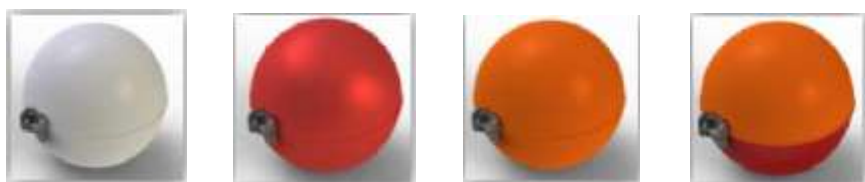
Installation and Operation

- Mount on the wire-ropes of the overhead tower. Please note the distance between the spheres is the following:
 - if the diameter of the sphere is 600mm, the distance is no more than 30mtrs.
 - if the diameter of the sphere is 800mm, the distance is no more than 35mtrs.
 - if the diameter of sphere is 1300mm, the distance is no more than 40mtrs.
- Colors to install are red, white, and orange. The setting should be inter-phase.
- The height of the spheres should not be lower than the highest marked overhead line.

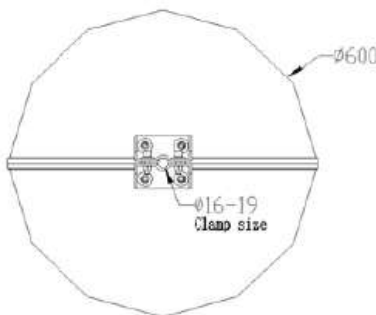
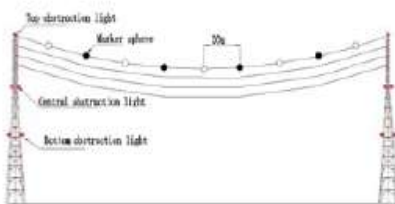
Note:

Transmission-line diameter cannot exceed the range regulated by the clamp.

Different colored spheres available for inter-phase setting.



Mounting dimension (unit : mm)



Application

